

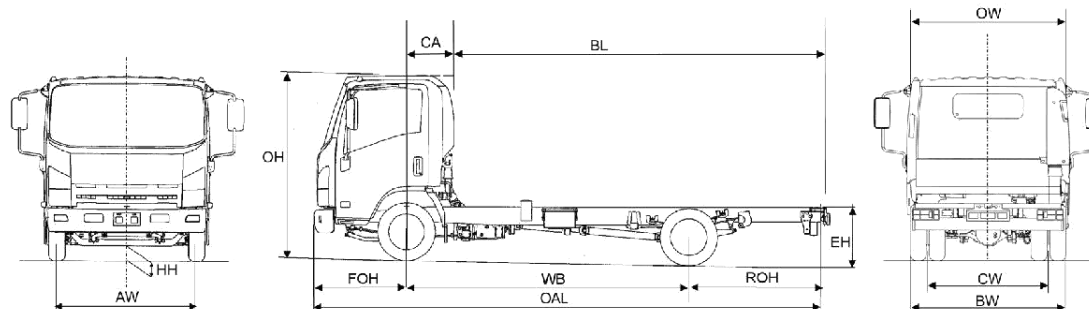
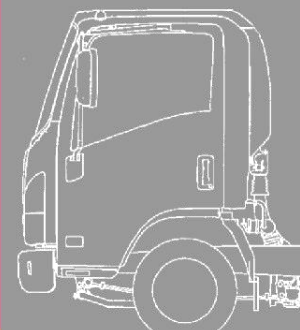
# PROVISIONAL

## ISUZU N55.150 (N)

### 5.5T GVW

(Manual transmission) 4x2 rigid chassis with narrow cab

EURO VI



#### Standard vehicle plated weights (kg)

GVW	5500
GTW	9000

#### Axle design weights (kg)

Front	2100
Rear	3600

#### Weights (kg)

Cab type		day
Wheelbase	WB	3350
Vehicle Mass Unladen	Front	1560
	Rear	720
Total		2280
GVW		5500
Max. Permissible Trailer Weight		3500
Body & Payload Allowance		3220

#### Dimensions (mm)

Overall Length	OAL	6025
Overhang - Front	FOH	1110
Overhang - Rear	ROH	1595
Cab Gap	CB	157
C/L Front Axle to Rear of Cab	CA	463
Recommended Body Length	BL	4267
Chassis Frame Width		700
Recommended Body Width		2000
Recommended Maximum Body Width		2315*
Cab Width	OW	1770
Overall Height (Unladen)	OH	2150
Chassis Height (Unladen)	EH	730
Minimum Road Clearance	HH	160
Track - Front	AW	1475
Track - Rear	CW	1425
Rear Axle Width	BW	1855

\* Wide mirror arms apply at extra cost

1. Unladen weights excludes driver, fuel, AdBlue. Includes spare wheel + carrier (Tolerance  $\pm 3\%$ ).  
 2. Body lengths are given as a guide only. Bodybuilders are responsible for ensuring all legal requirements are met.  
 3. Maximum body lengths are calculated to remain within the maximum permitted overhang of 60% of the wheelbase. Cab gaps may vary.  
 4. Isuzu Ireland shall have no liability whatsoever should the information supplied have incorrect data, descriptions or illustrations.

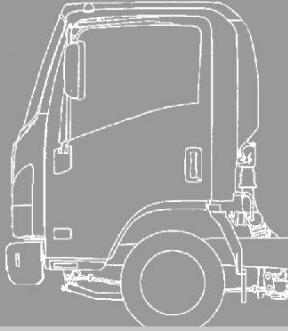
# PROVISIONAL

## ISUZU N55.150(N)

### 5.5T GVW

(Manual transmission) 4x2 rigid chassis with narrow cab

**EURO VI**



#### Mechanical Specification (standard equipment)

**Engine 4JJ1TC**  
Isuzu turbo intercooled 4 cylinder diesel DOHC (Euro VI)  
**Bore:** 95.4mm  
**Stroke:** 104.9mm  
**Capacity:** 2999cc  
**Max Power:** 110kW (150 PS) at 2800rpm  
**Max Torque:** 375Nm between 1600-2800rpm  
**Injection Type:** Common rail  
**Euro VI Compliance:** EGR (Exhaust Gas Recirculation) with DPD (Diesel Particulate Diffuser) SCR Adblue and OBD  
**Fuel Tank**  
Capacity: 92 litres  
**Transmission**  
5-speed synchromesh MY5T overdrive  
**Ratios:** 1st 5.315:1  
2nd 2.908  
3rd 1.558  
4th 1.000:1  
5th 0.721:1  
reverse 5.068:1  
**Rear Axle Ratio:** 4.30:1  
**Tyres:** 205/75 R16C radial  
**Wheels:** 5.50J x 16,5-stud

**Cab Exterior**  
Aerodynamic Isuzu Hexapod design with steel cab with roof outline markers  
Manual tilt to 45 deg.  
Chrome radiator grille Laminated windshield Plastic resin non-slip entry steps  
90 deg. opening cab doors  
Zinc galvanised cab frame structure  
Steel reinforced composite front bumper with fog and daytime running lamps  
2 flush mounted halogen headlights with indicators  
Front tyre mudguards with spray suppression  
Keyless door entry and immobiliser

**Frame**  
Parallel ladder type channel section straight side rails, riveted upper flange  
**Cooling**  
**Radiator:** Tube and fin type with fan and viscous clutch  
Frame mounted fuel cooler  
**Clutch**  
300mm diaphragm type with hydraulic actuation  
**Cab Interior**  
Flame-resistant interior trim  
Vinyl floor matting  
Pillar mounted entrance grab handles both sides  
SRS airbags driver and passenger

**Seats (all cloth)**  
Driver's fully adjustable suspension seat with head restraint  
Dual passenger seat, folding back centre with tray  
Driver and outer passenger retractable diagonal seat belts, with pre-tensioner  
Centre seat lap belt  
**Vision**  
Large foldable mirrors  
Interior rear view mirror on collapsible mounting  
Driver and passenger sun visors  
Deep cut side windows to reduce blind spots  
Electric windows with driver control and lock  
**Heating & Ventilation**  
4-speed blower  
Multiple cab vents  
**Axles**  
**Front:** Reverse Elliott I-Beam  
**Rear:** Banjo fully floating

**Suspension**  
**Front:** Semi-elliptical alloy steel leaf springs with hydraulic shock absorbers and anti-roll bar  
**Rear:** Semi-elliptical alloy steel leaf springs with hydraulic shock absorbers and anti-roll bar  
**Steering**  
Recirculating ball type with full integral hydraulic power assistance  
Tilt and telescopic steering column  
**Brakes**  
**System:** ABS divided hydraulic, Vacuum Servo assisted with electronic brake distribution and anti-slip regulation  
**Front:** 293mm ventilated discs with asbestos-free pads  
**Rear:** 293mm ventilated discs with asbestos-free pads  
**Park:** Mechanical drum brake rear of transmission  
**Instruments**  
Speedometer with odometer & trip  
Rev counter  
Fuel gauge  
Engine coolant temperature  
Multi information display provides information on servicing, emissions and fuel economy  
Digital tachograph  
**Switches & Electrical**  
Steering column mounted combination switch for indicators, headlamps (high beam), side and rear fog lights  
Wiper and washer (2-speed and intermittent)  
Steering wheel horn  
Engine idle control  
Hazard lights  
Headlamp leveling  
Interior light  
Key operation for quick cold start, start and stop  
Engine quick warm-up  
Cigarette lighter  
Central locking  
Reverse warning

hydraulic shock absorbers and anti-roll bar  
**Rear:** Semi-elliptical alloy steel leaf springs with hydraulic shock absorbers and anti-roll bar  
**Steering**  
Recirculating ball type with full integral hydraulic power assistance  
Tilt and telescopic steering column  
**Brakes**  
**System:** ABS divided hydraulic, Vacuum Servo assisted with electronic brake distribution and anti-slip regulation  
**Front:** 293mm ventilated discs with asbestos-free pads  
**Rear:** 293mm ventilated discs with asbestos-free pads  
**Park:** Mechanical drum brake rear of transmission  
**Instruments**  
Speedometer with odometer & trip  
Rev counter  
Fuel gauge  
Engine coolant temperature  
Multi information display provides information on servicing, emissions and fuel economy  
Digital tachograph  
**Switches & Electrical**  
Steering column mounted combination switch for indicators, headlamps (high beam), side and rear fog lights  
Wiper and washer (2-speed and intermittent)  
Steering wheel horn  
Engine idle control  
Hazard lights  
Headlamp leveling  
Interior light  
Key operation for quick cold start, start and stop  
Engine quick warm-up  
Cigarette lighter  
Central locking  
Reverse warning

DPD engage  
Front fog lights  
EV SC off  
ASR off  
Exhaust brake  
Heater stage  
Electronic vehicle speed limiter set at 56mph (90kph)

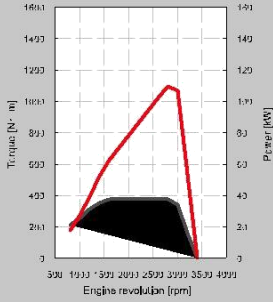
**Warning /Indicator Lamps**  
Battery charge  
Oil pressure  
Low fuel  
Glow plug operation  
High beam and indicators  
Parking brake on  
Fuel/water separator  
Check engine  
DPD operation  
Engine over heat  
EV SC  
ABS  
SRS air bag  
Exhaust brake operation  
Front and rear fog  
SVS  
Seat belt  
Brake system  
Brake vacuum loss

**Tool Kit**  
Jack, with a small selection of hand tools

**Radio**  
Radio/CD Player package

**Storage Space**  
Compartment box  
Centre console tray  
Door pockets  
Centre fascia pocket  
Overhead roof shelves  
Storage bin (behind seats)  
Card holder

**Ancillaries**  
**Starter:** Reduction type 24V – 4.0kW  
**Alternator:** 24 V – 50 Amp  
**Quick Start:** 4 glow plugs on start relay  
**Battery:** 2 x 12 V - 75 AH (maintenance free)



- The following optional items are available:**
- Isuzu Branded Mats
  - Aerodynamic Body Kits
  - Satellite Navigation
  - Reversing Aids
  - PTO Switch
  - Telematics

For further information please contact your local dealer, ring us directly on **(01) 4194500**

Or visit our website  
**www.isuzu-ireland.com**

**Isuzu Ireland,**  
Naas Road  
Dublin 12

**ISUZU**

